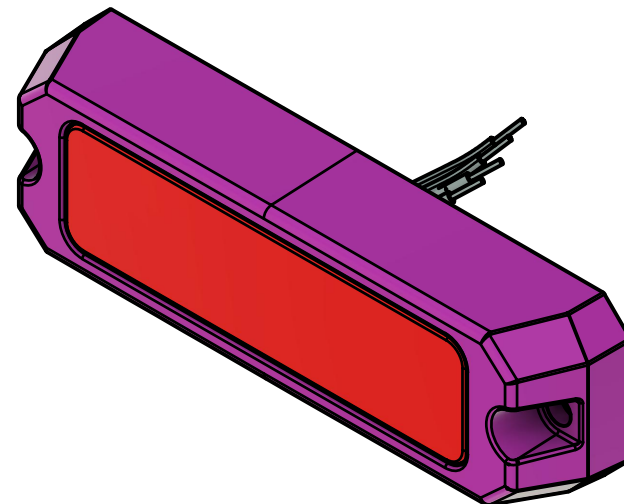
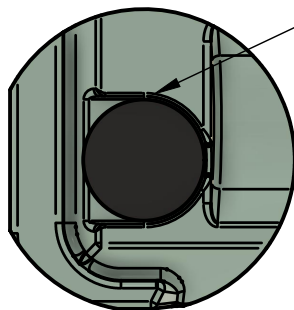
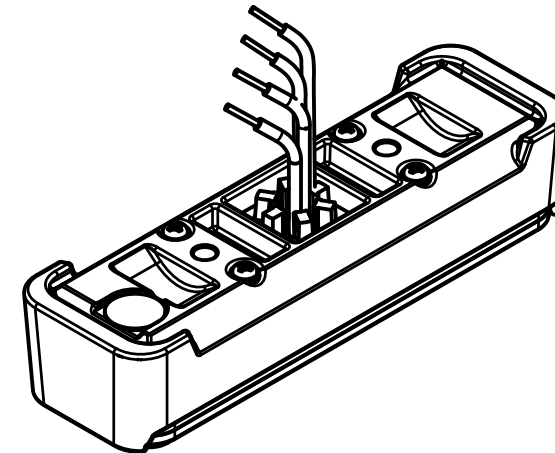
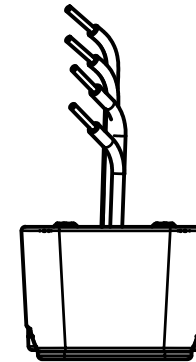
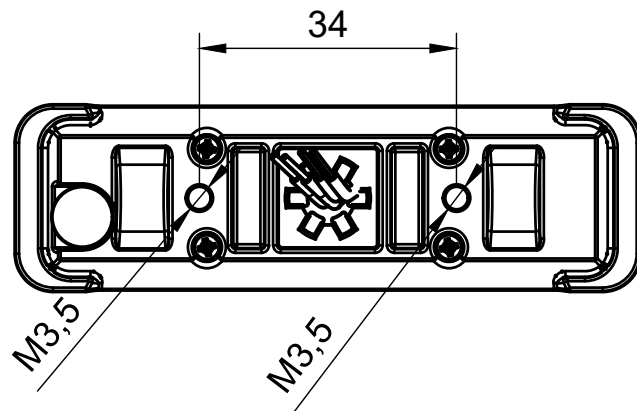
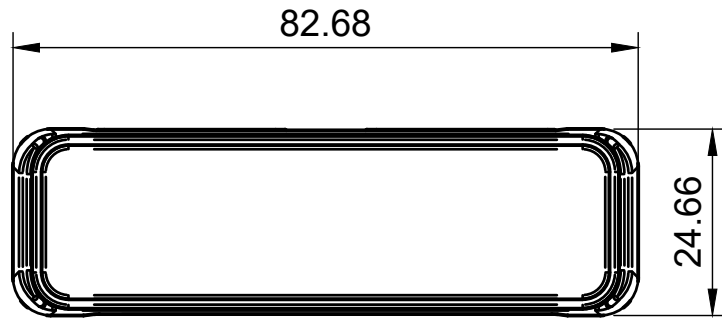


A

Membrane zum  
Abführen von  
Wasserdampf



Dept. <b>TECH</b>	Technical reference	Created by <b>LED-MARTIN®</b>	Approved by <b>MT</b>	<b>16.04.2020</b>
LED-MARTIN GmbH Bahnhofstraße 13 54687 Arzfeld Deutschland		Document type	Document status <b>published</b>	
		Title <b>LED-MARTIN® R65 PROFLASH Aufbaumontage</b>	DWG No. <b>R65PF_T1_P</b>	
Rev. <b>04</b>	Date of issue <b>16.40.2020</b>	Sheet <b>1/2</b>		



Dept. <b>TECH</b>	Technical reference	Created by <b>LED-MARTIN®</b>	Approved by <b>MT</b>	<b>16.04.2020</b>
LED-MARTIN GmbH Bahnhofstraße 13 54687 Arzfeld Deutschland		Document type	Document status <b>published</b>	
		Title <b>LED-MARTIN® R65 PROFLASH rückseitige Montage</b>	DWG No. <b>R65PF_T1_P</b>	
		Rev. <b>04</b>	Date of issue <b>16.40.2020</b>	Sheet <b>2/2</b>