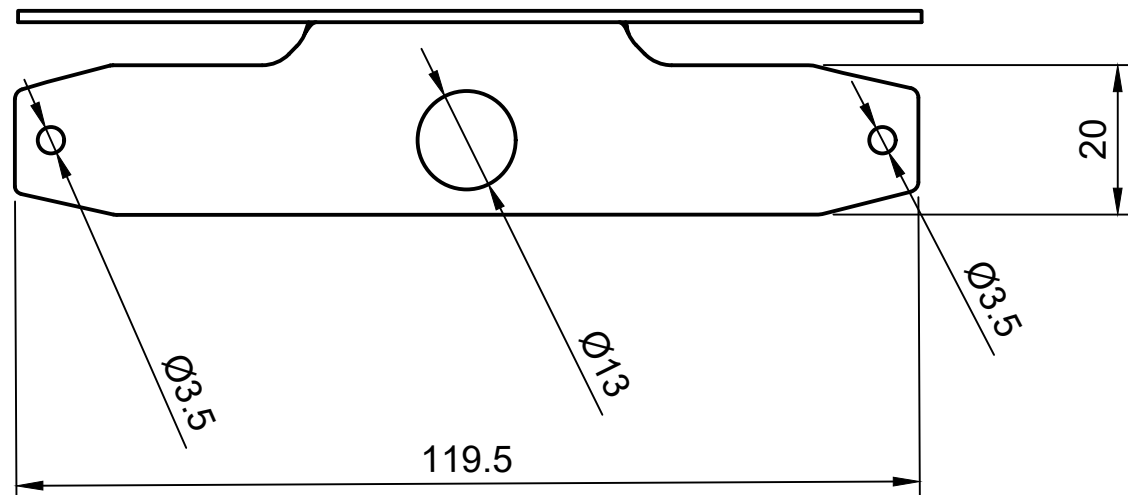
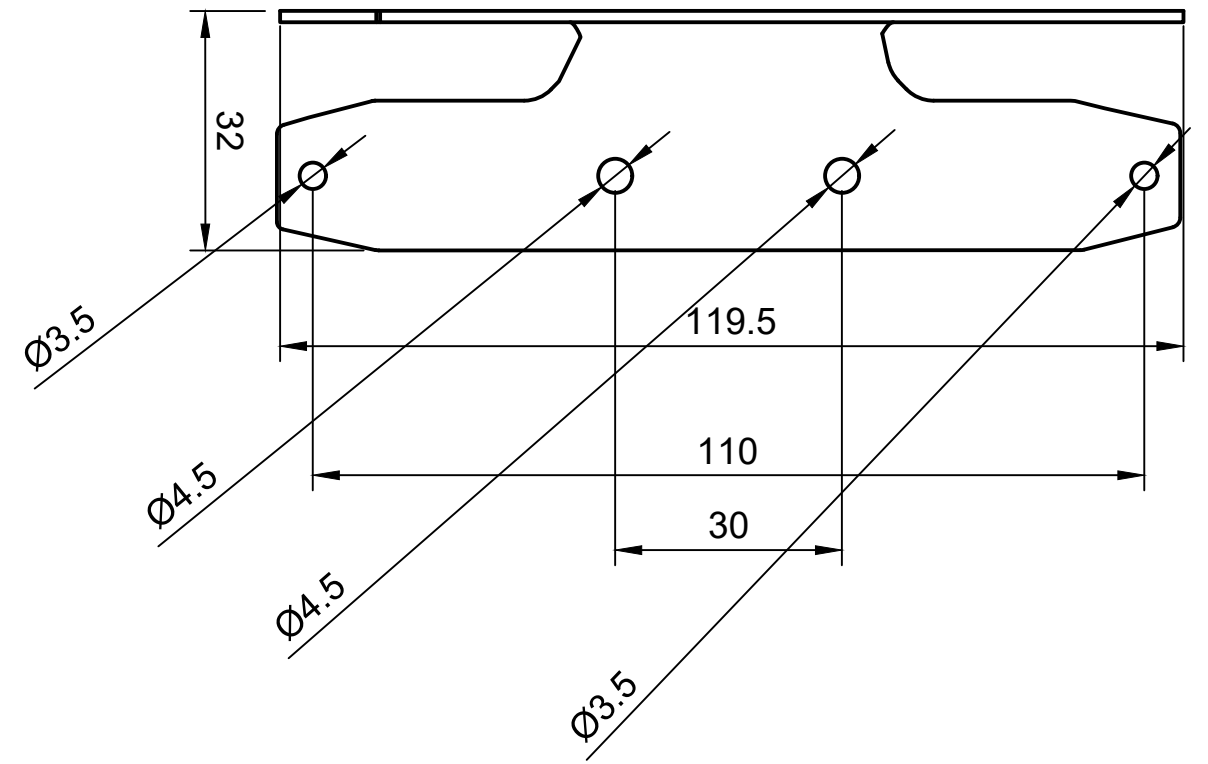


1 2 3 4 5 6 7 8

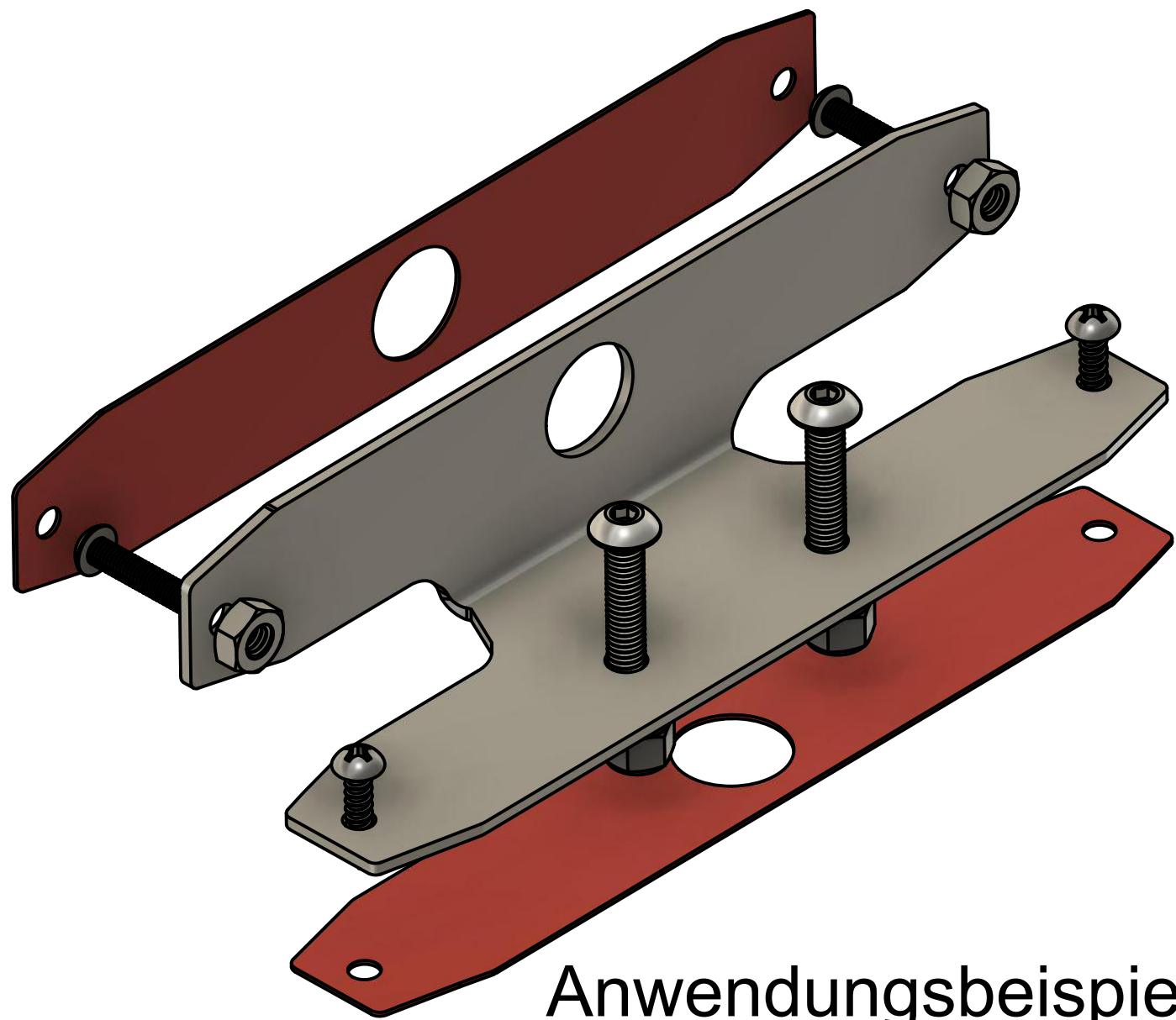
A



B



C



D

E

Anwendungsbeispiel

F

Dept. CONST1	Technical reference	Created by LED-MARTIN® 26.05.2020	Approved by MT
		Document type	Document status published
		Title LED-MARTIN® Haltersatz f. X2 Art.Nr.:LM4713	DWG No. 26052020_05_R3
		Rev.	Date of issue
		Sheet 1/1	

A

B

C

D

E

F

1 2 3 4 5 6 7 8