

DUAL COLOUR LED BEACON

WIRING / OPERATION

Permanent Mount:

- BLACK:** To -Chassis Ground
RED: To +VDC (fuse@5A) for Warning Mode in COLOUR1
YELLOW: To +VDC (fuse@5A) for Warning Mode in COLOUR2
(RED + YELLOW): To +VDC (fuse@5A) for Warning Mode in COLOUR1 alt. 2
WHITE: [+] for Low Power Operation
 Activate dimming function by continuously applying +VDC to WHITE wire.

Magnetic Mount:

NOTE: Plug the cigar plug into the cigar lighter socket for Warning Mode in COLOUR1.

BUTTON 1 - Maintained Switch:

- Position 1** - ON (Low Power Warning Mode)
Position 2 - OFF (High Power Warning Mode)

BUTTON 2 - Momentary Switch:

- Press once** - Switch to COLOUR2
Press again - Switch to COLOUR1 alt. 2
Quick press three times - Switch to COLOUR1

FLASH PATTERNS		
1	Double	[R65]
2	Single	[2HZ]
3	Triple	[2HZ]
4	Quad	[2HZ]
5	Random	
6	Steady	
7	Single	[SAE, CA13]
8	Double	[SAE]
9	Triple	[SAE]
10	Quad	[SAE]
11	Quint	[SAE]
12	Mega	
13	Ultra	[SAE]
14	Single-Quad	
15	Single H/L	
16	Single-Triple-Quint	

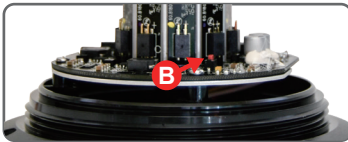
FLASH PATTERN SELECTION

1. Open

Twist the dome lens counter clockwise **A**, then lift the dome lens to open.

2. Change

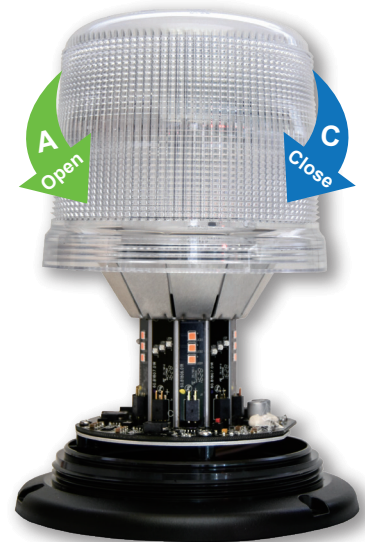
While activating Warning Mode, momentarily push the RED BUTTON **B** to change to the next flash pattern. (see Flash Patterns Chart)



Note: All COLOUR1, COLOUR2 and COLOUR1 alt. 2 warning modes may select different Flash Pattern.

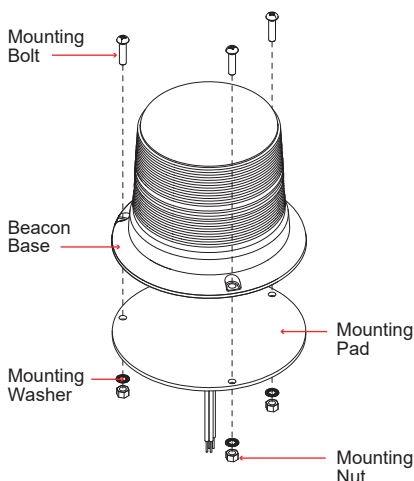
3. Close

Twist and tighten the dome lens clockwise **C** to close.



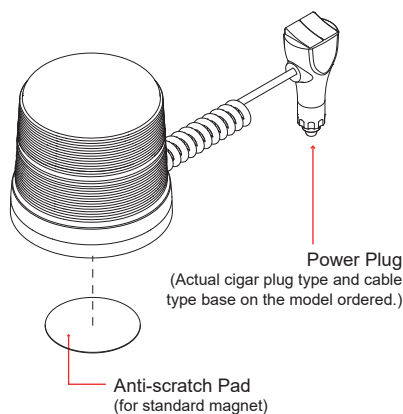
Note: i. This unit may not be factory-set at FP#1
 ii. Actual approval base on the model ordered.

3 Bolt Mount



1. Drill holes on the mounting surface for the wire-exit and mounting bolts.
2. Secure the beacon onto the mounting surface with mounting bolts.

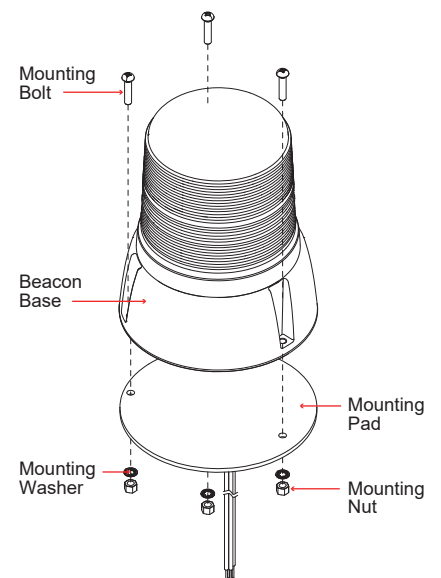
Magnetic Mount



WARNING :

It is not recommended to use magnetically mounted warning devices on outside of vehicle in motion. Usage is at the sole risk and responsibility of the user.

Tall Base 3 Bolt Mount



Note: All diagrams may not show to scale.